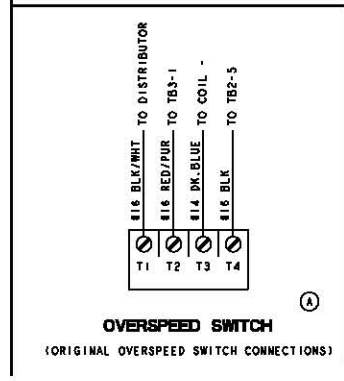
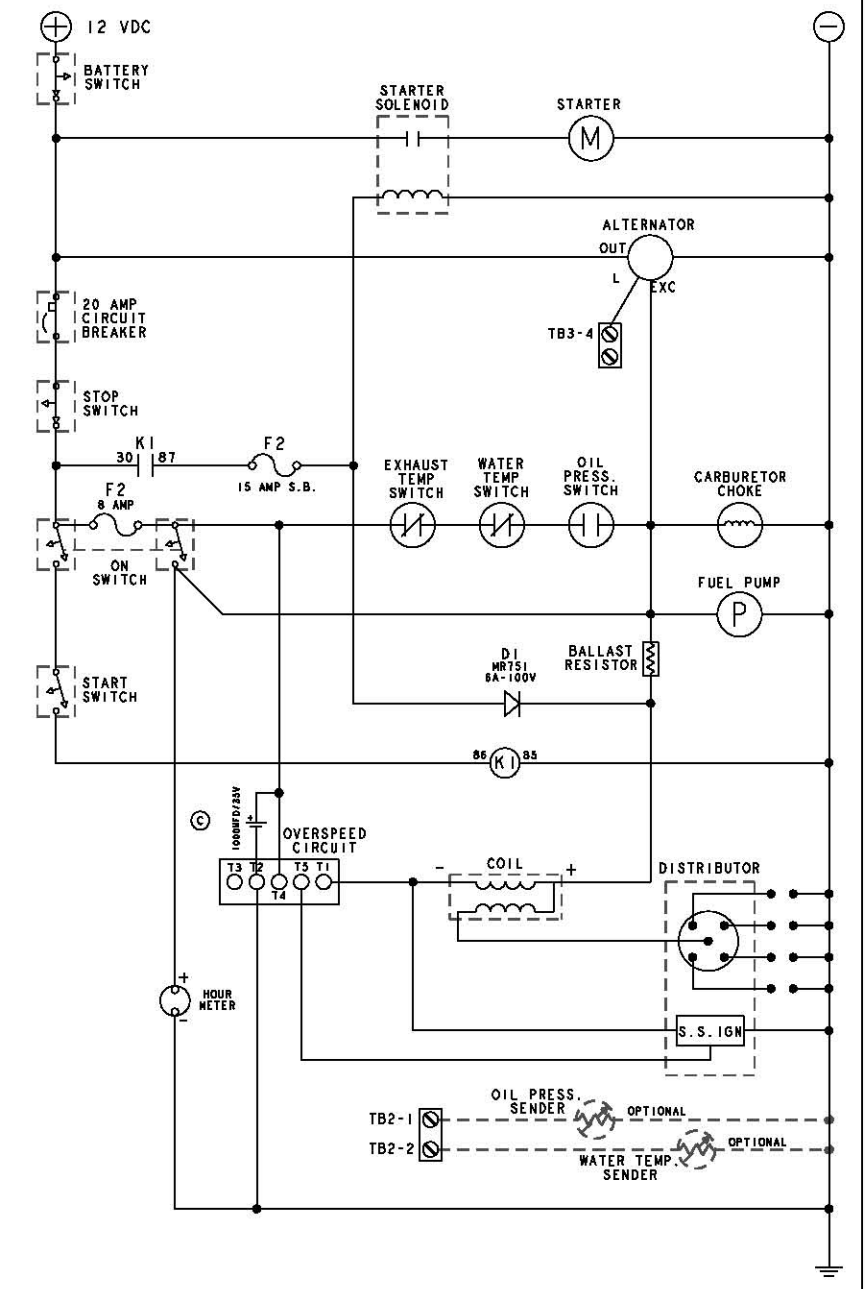
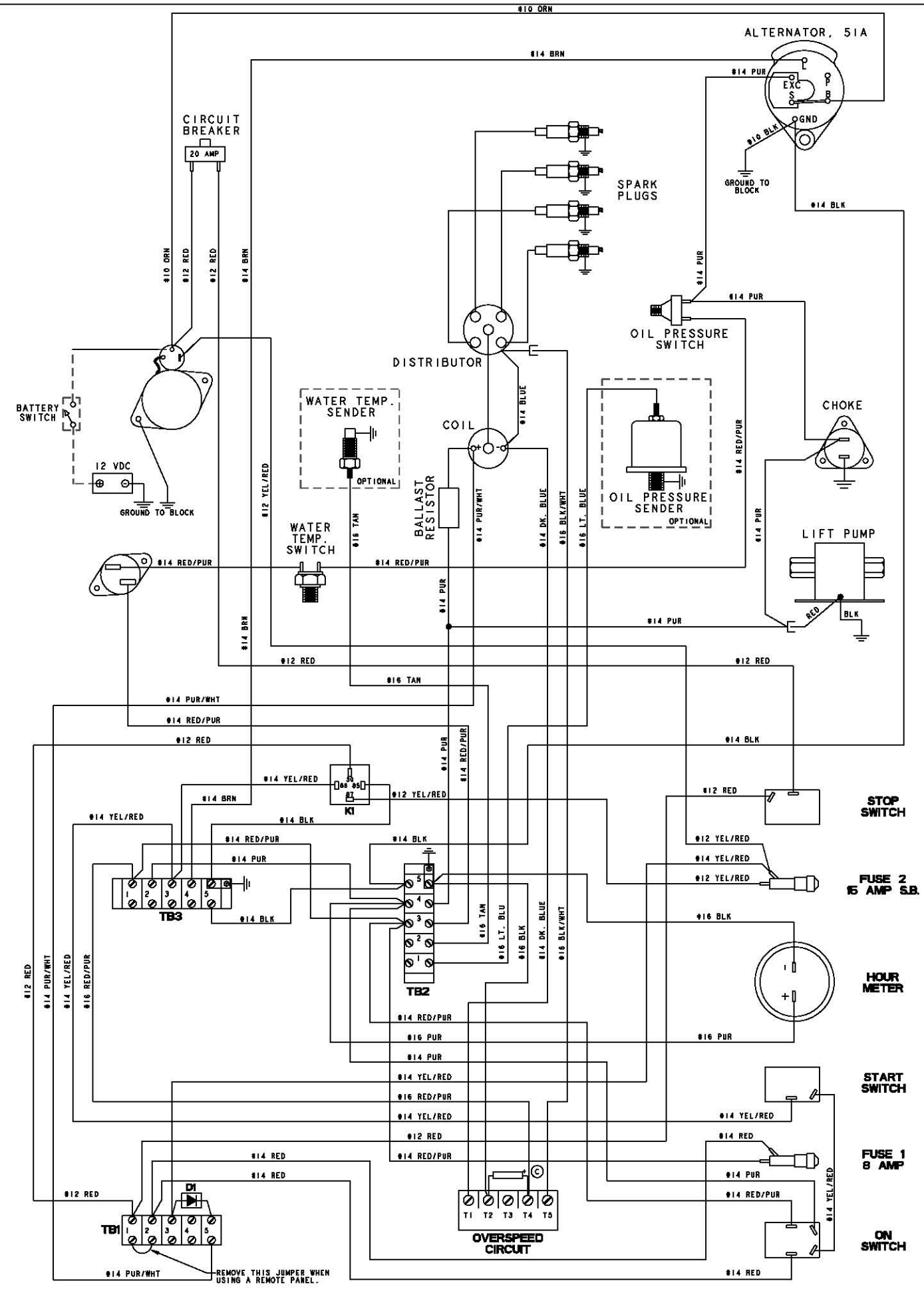


ECO NO.	DATE	REV.	REVISION RECORD	AUTH.	BY
2686	3-1-65	A	ADDED NEW OVERSPEED SWITCH AND UPDATED DIAGRAM AND SCHEMATIC. ADDED OIL OVERSPEED DETAIL.	WRM	
2729	4-19-65	B	CHANGE #16 WIRE FROM GS-147183-2 TO GS-147183-1 UPDATED WITH SCHEMATIC AND DIAGRAM.	MMM	
3925	12/16-68	C	ADDED CAPACITOR TO SUPPRESS STARTER NOISE.	MMM	



TOLERANCES		WESTERBEKE CORPORATION	
INCHES	FRACTIONS	AVON MA. 02322	
DECIMALS			
MILLIMETERS			
WIRING DIAGRAM, 20.0 KW. BEG AND 25.0 BEG GASOLINE GENSETS			
DATE	REV.	BY	CHK.
12/16/68	C	MMM	
SCALE		SHEET NUMBER	
1" = 1"		E	
DRAWN BY		DATE	
WRM		10 JUN 64	
CHECKED BY		REV.	
MMM		40620	
SHEET 1 OF 1		C	